

ORIGINAL INSTRUCTIONS

ATX5600i

**SILENT INVERTER GENERATING SET
OPERATION'S MANUAL**



Read this manual carefully before operation.
This manual includes important guidance for safety operation.

This Manual contains important safety information and instructions for operating this generating set. **PLEASE READ THIS MANUAL CAREFULLY.** Failure to do so could result in property damage and/or personal INJURY/DEATH.

Provide this manual to any operator of this generating set. This manual should be considered as a permanent part of your generating set and should remain with it when you sell it.

All pictures & figures are only one example of series generating set. It shall be only for reference and perhaps there will be difference between pictures & figures and physical products.

All information in this publication is based on the latest product information available at the time of printing. We reserve the right to change, alter and/or improve the product and this document at any time without notice and without incurring any obligation.

No part of this publication shall be reproduced without written permission.

Write down the generating set's serial number and purchase information. Keep this manual and the receipt for future reference.

Model:

Serial number:

Date of purchase:

Contents

I. Operator safety	1
1. Safety rules	1
II. Getting started	6
1. Unpacking.....	6
2. Usage of pull rod.....	6
3. Features and Controls.....	8
III. Instructions for use	13
1. Operating checklist	13
2. Starting the generating set.....	19
3. Connect to electrical devices	23
4. Stopping the generating set.....	25
IV. Maintenance	26
1. Maintenance schedule	26
2. Generating set maintenance.....	28
3. Engine maintenance	28
V. Trouble-shooting	34
VI. Storage and transportation	35
VII. Specification	36
1. Specification parameter table	36
2. Wiring diagram	37

I. Operator safety

1. Safety rules



Pay attention to this safety alert symbol. Obey all safety messages that followed by this symbol to avoid possible property damage, INJURY or DEATH.

Each safety message is preceded by a safety alert symbol and one of three words, DANGER, WARNING, or CAUTION.

DANGER

Indicates a hazardous situation which, if not strictly complied with, will result in substantial property damage, serious injury or DEATH.

WARNING

Indicates a hazardous situation which, if not strictly complied with, may result in property damage, serious injury or DEATH.

CAUTION

Indicates a hazardous situation which, if not strictly complied with, could result in property damage or injury.



WARNING

READ THIS MANUAL COMPLETELY BEFORE OPERATING.

DO NOT operate this generating set until you have read ALL safety, Operation, and maintenance instructions listed in this manual.

Failure to follow the instructions may result in property damage, INJURY or DEATH.

The warnings and precautions discussed in this manual cannot cover all possible conditions and situations that may occur. It must be understood by the operator that common sense and caution are factors which cannot be built into this product, but must be possessed by the operator.

WARNING

This product is a home generator and an air-cooled generator cannot run full time. It is prohibited to modify this generator without authorization or use it in an unsuitable place.



⚠ DANGER

TOXIC FUMES

The exhaust of the engine contains carbon monoxide, an odorless, colorless, poison gas. Using engine indoors **CAN KILL YOU!**

NEVER use inside any building or any kind of enclosure, **EVEN IF** doors and windows are open.

Place the engine in a well-ventilated area and carefully consider wind and air currents when positioning the engine.



⚠ WARNING

FIRE

Operation of this engine may create sparks that can start fires around flammable material.

This engine may not be equipped with a spark arresting muffler. If the engine will be used around flammable materials, or on land covered with materials such as agricultural crops, forest, brush, grass, or other similar items, then an approved spark arrester must be installed.

In some area, a spark arrester is required by law.

Please contact local fire agencies for laws or regulations relating to fire prevention requirements.

⚠ WARNING

ACID

(For types equipped with battery)

Be careful when using any battery.

Keep away from open flame, heat or spark.

Battery will exhaust hydrogen while charging. Only charge a battery in a well ventilated place.

Avoid spilled battery acid. If contact with skin is made, wash immediately with clean water.



Flammable materials can catch fire when they come into contact with hot surfaces. Do not place flammable objects within 1.5 meters.



WARNING

HOT SURFACE

Running engines produce heat. Severe burns can occur on contact.

DO NOT touch engine while operating or just after stopping. Avoid contact with hot exhaust gases.



WARNING

KICKBACK

Rapid retraction of the starter cord will pull hand and arm towards the engine faster than you can let go.

Unintentional startup can result in accident.



DANGER

FIRE OR EXPLOSION

Gasoline is highly flammable and extremely explosive.

Fire or explosion can cause severe burns or death.

Keep flammable items away while handling generator.

Fill fuel tank outdoors and in a well-ventilated area with the generator stopped.

Always wipe off spilled fuel and wait until the fuel has dried before starting the generator.

DO NOT operate the generator with known leaks in the fuel system.

Use proper fuel storage and handling procedures. DO NOT store fuel or other flammable materials nearby.

Empty the fuel tank before storing or transporting this generator.

Keep fire extinguisher handy and be prepared if a fire starts.



Open Flame Alert

Fuel and its vapors are extremely

flammable and explosive.

Keep fuel away from smoking, open flames, sparks, pilot lights, heat, and other ignition sources.

⚠️ WARNING

Before each use, check for loose or damaged parts, signs of oil or fuel leaks, and any other condition that may affect proper operation.

Repair or replace all damaged or defective parts immediately.

Locate all operating controls and safety labels.

Make sure all the safety instructions are in right and working condition. Operate only on level surfaces.

DO NOT expose generating set to excessive moisture, dust, or dirt.

Keep all safety guards in place and in proper working order at all times.

DO NOT allow any material to block the cooling slots.

DO NOT allow children or untrained persons to operate the generating set.

DO NOT run the generating set unattended. Turn off the generating set before leaving the area.

Allow 0.9 meter of space around the generator to ensure good cooling.



⚠️ DANGER

MOVING PARTS

Moving parts can cause severe injury. Keep hands and feet away.

DO NOT operate generating setl. with covers, shrouds, or guards removed.

DO NOT wear loose-fitting clothing, dangling drawstrings or items that could be caught. Tie up long hair and remove jewelry.

The moving parts may catch operator's hand, feet, hair or clothes that will cause traumatic amputation or broken bones, fracture.

NEVER place fingers, hands, or body near the generating setl. when it is running.



⚠ DANGER

ELECTRICAL SHOCK

This generator produces powerful voltage and the electricity **CAN KILL YOU**.

This generator must be properly connected to an appropriate ground to help prevent electric shock. Failure to properly ground generator can result in electrocution, especially if the generator is equipped with a wheel kit. Consult an electrician for local grounding requirements.

Installation should be performed by a certified electrician. Improper installation can result in electrical shock and death.

To reduce the risk of electrical shock, **DO NOT** use electrical cords that are worn, frayed, bare or otherwise damaged.

DO NOT touch bare wires or receptacles.

DO NOT handle generator or electrical cords while standing in water, while barefoot, or while hands or feet are wet.

DO NOT allow unqualified persons or children to operate or service the generator.

DO NOT hook up any generator to a building electrical system without the proper use and installation of a transfer switch installed by a qualified electrician.

When using generator for backup power, notify utility company. Use approved transfer generator to isolate generator from electric utility.

Failure to isolate generator from power utility can result in death or injury to electric utility workers due to backfeed of electrical energy.



Wet Conditions Alert

Do not expose to rain or use in damp locations.

II. Getting started

1. Unpacking

Remove the generator from the packaging box.

- Place the packaging box on a solid and flat surface.
- Carefully cut each corner of the packaging box from top to bottom. Lay each side open and flat on the ground.
- Remove all accessories except the generator from the packaging box.

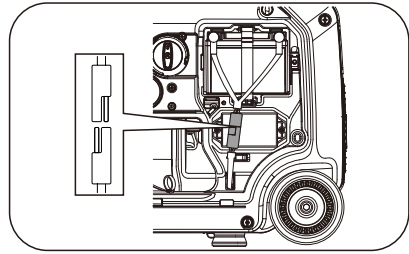
The following steps apply to electric start.

Connect the battery cable before the first use.

Unscrew the fixing bolt on the right maintenance panel and remove the maintenance panel.

Connect the battery harness, put the right maintenance panel back in place, and tighten the bolts.

Also, make sure that the combination switch lever is not pressed down by the right maintenance panel when installing the right maintenance panel back into place.



Notice: This product is equipped with an electric starter, powered by a battery within the product. If leave unused for more than 3 months, charge the battery in time or it will be damaged.

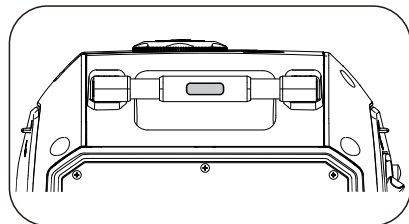
2. Usage of pull rod

⚠ CAUTION

Make sure the generator is placed on a level ground before using the pull rod.

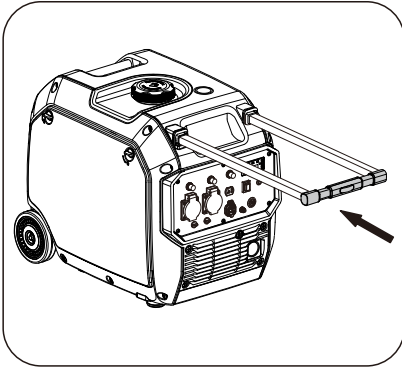
Using the pull rod

Hold the pull rod and press the button on the rod, then stretch the rod outward until a "click" sound is heard, indicating that the pull rod has been fully pulled out, then you may move the generator with the rod.

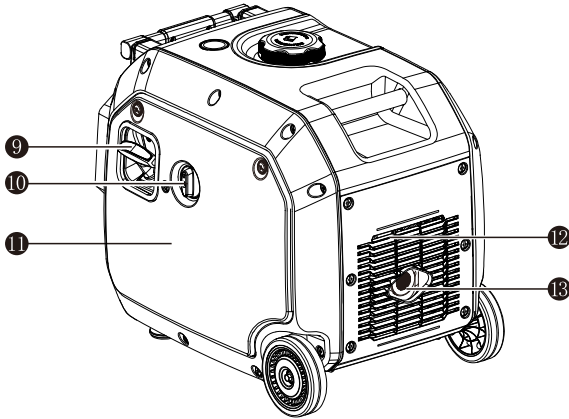
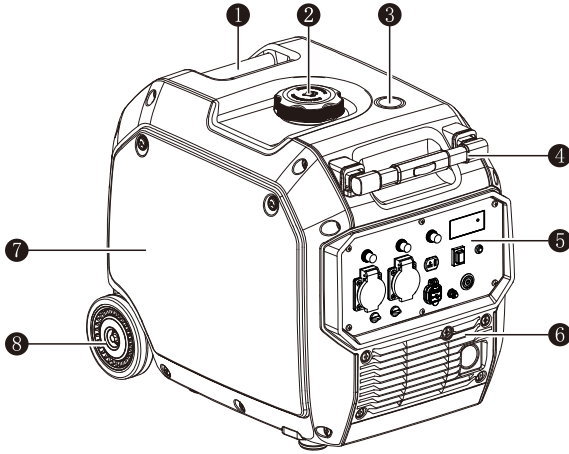


Pull rod reset

Press the pull rod button and hold the lever, push it inward towards the generator to the original position until the pull rod makes a “click” sound, indicating that it has been reset.

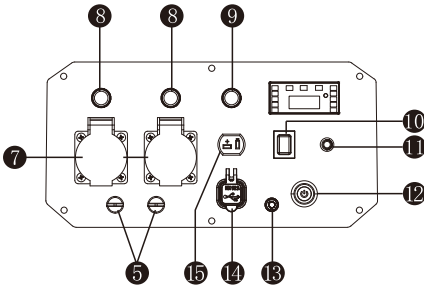
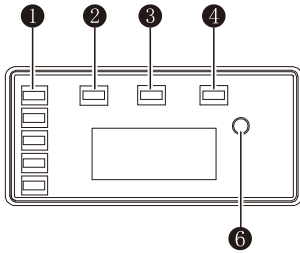


3. Main features and controls



- ① Rear lift handle
- ② Fuel tank cap
- ③ Fuel level indicator sight glass
- ④ Lever
- ⑤ Panel assembly
- ⑥ Air inlet shutter
- ⑦ Left maintenance panel
- ⑧ Wheels
- ⑨ Start handle
- ⑩ Combination switch (FLAMEOUT & SHUT-OFF & RUN & CHOKE)
- ⑪ Right maintenance panel
- ⑫ Silencer shutter
- ⑬ Silencer

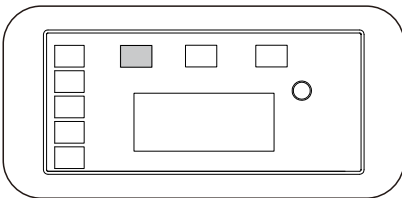
Panel assembly



- ❶ Power indicator
- ❷ Overload indicator
- ❸ Running indicator
- ❹ Oil level indicator
- ❺ Parallel kit terminal
- ❻ Reset button
- ❼ AC Output receptacle
- ❽ AC breaker
- ❾ DC breaker
- ❿ ECO Mode
- ⓫ Learning button
- ⓬ Switch button
- ⓭ Ground terminal
- ⓮ USB port
- ⓯ Type T Output

Overload indicator (red)

When the overload indicator is on, it indicates that the generating set is overload and then the AC protector works. It will stop the output of generating set to protect the electric equipment and the generating set itself. At this time, the running indicator (green) is off and the overload indicator (red) is on, but the engine is still in running state.

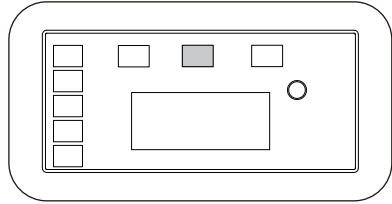


When the overload indicator light flashes and the generator set has no output, please take the following measures:

- a. Reduce the total power of the connected electrical device to within the range of the rated output.
- b. Inspect whether the cold air inlet is blocked by foreign matters and whether the relevant control parts are abnormal. If there is any problem, eliminate it immediately.
- c. Press the reset button.

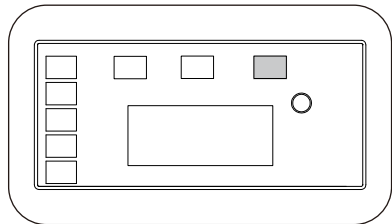
Running indicator (green)

The running indicator lights up when generating set starts and has normal output.



Oil level indicator (yellow)

When the oil level drops below the lower limit, the oil protection system will stop the engine automatically and oil level indicator will blink by pulling the recoil starter. The engine will not run until the oil has been filled to the proper level.

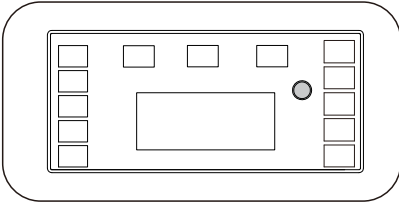


Note: If the generator fails to start when the engine is turned off, please turn the Combination switch to the "RUN" position, and then pull the starter handle. If the oil alarm indicator lights up, it means that the oil capacity is insufficient, please add oil and restart.

Reset button

When the generator produces overload protection without output, reduce the load and then gently press the reset button to restore the output.

In normal use, press the reset button to switch the display of voltage, frequency, running time, etc.

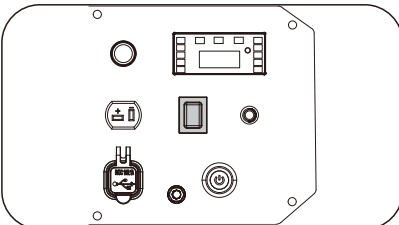


ECO Mode

When the electrical equipment needs a large starting current, please put the ECO Mode in the "OFF" position.

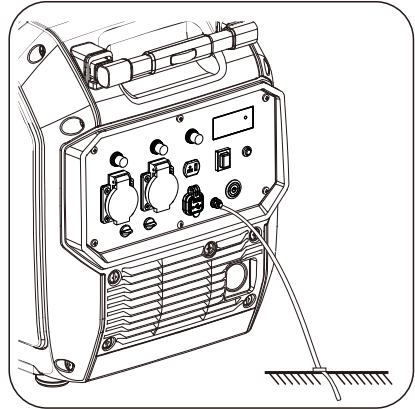
While when the electrical equipment needs a small starting current, please put the ECO Mode in the "ON" position.

Note: When using equipment with large starting current (as air compressors, submerged water pumps, etc.), please put the ECO Mode in the "OFF" position.



Ground stud

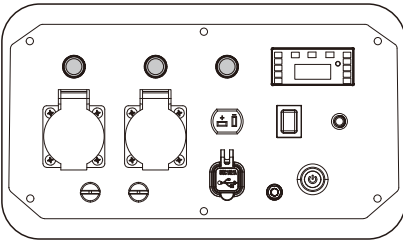
A cable shall be used to connect the ground stud to the ground to avoid electric shock due to failure of the device. Before using the generator, make sure that the ground wire is connected.



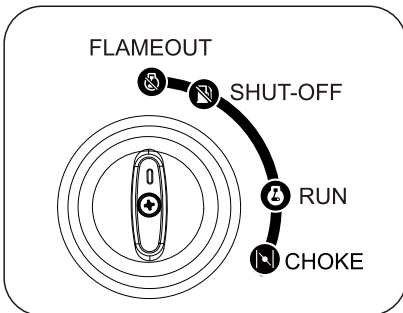
Overcurrent protector (Breaker)

When the generator is overloaded or overheated for a long time, the overcurrent protector will disconnect the output; in this case, please re-reduce the load or run it under no load for a few minutes, and then press the overcurrent protector button to restore the output.

Note: the overcurrent protector is relevant to the operating current, ambient temperature and other factors, so the protection time will be different.



Combination switch



RUN

The generator works normally.

SHUT-OFF

The supply of fuel in the fuel tank stops, the generator is still running and burning off the excess fuel in the pipe before shutdown.

⚠ CAUTION

If the generator will not be in use for a short time, please enable this function, or you can also unscrew the drain bolt of the carburetor to discharge the fuel in the fuel cup from the generator.

Flameout

The generator stops working.

⚠ CAUTION

After the load is removed from the generator, please run the generator under no load for 3 minutes to balance the temperature, and then activate the flameout function.

Choke: Close the choke.

Note: Turn to choke position to start when engine is cold, and turn to Run position to start when engine is hot.

III. Instructions for use

1. Operating checklist

1 Operation place

Applicable to use outdoors only. Please place the generator in a well-ventilated area.

The generator must be placed on a firm and flat surface in a well-ventilated place with clean and dry surrounding environment for operation.

Use the generator only within the scope of application of it. If you are unclear about the scope of application of the product, please consult your local distributor.

In some specific locations and areas, the use of the generator must meet some additional terms or regulations, please consult your local dealer.



⚠ DANGER

TOXIC FUMES

The exhaust of the generating set contains carbon monoxide, Using engine indoors **CAN KILL YOU!**

NEVER use inside any building or any kind of enclosure, **EVEN IF** doors

and windows are open. Place the generating set in a well-ventilated and clean area. Note the wind direction and air current when place the generating set.

High altitude

To ensure proper operation of the generator at high altitudes, it may be necessary to equip the carburetor with a high altitude kit. If the generator is always used in areas with an altitude of more than 1500 m, consult your local dealer for high altitude kit information.

⚠ CAUTION

Using a high altitude carburetor kit at altitudes below 1500 m may cause the engine to be overheated, causing serious damage to the engine. When using generator in low altitude areas, restore the carburetor to factory specifications at the dealer.

⚠ CAUTION

Even if the carburetor is modified, the power of the generator will decrease with the increase of altitude, and the power will decrease by

3.5% for an increase of every 300 meters. If the carburetor is not modified, the altitude height will have a greater impact on power.

2 Operation place

Inspect parts for looseness or damage, check oil or fuel for leaks, or check other conditions that may affect the proper functioning of the generator. All damaged or defective parts shall be repaired or replaced without delay.

Clean the dirt or foreign matters on the surfaces around the air inlet, vent and recoil starter of the generator.

The generator should not be moved or tipped over during operation.

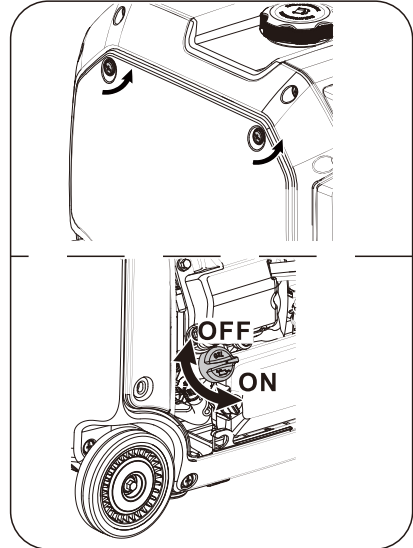
⚠ WARNING

Problems identified must be corrected before running the generator, otherwise it will result in property damage, and even serious personal injury or death.

3 Inspect the engine oil

Before the generator runs, place the generator horizontally and check the oil level.

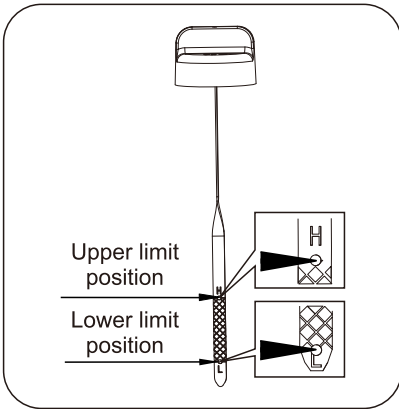
Remove the left maintenance panel after unscrewing the fixing bolt.



Remove the oil dipstick and wipe it clean.

Insert the dipstick into the filler, taking care to insert the entire dipstick to the bottom, then pull it out again, observe the dipstick and check the oil level. The amount of oil shall be within the upper and lower limits of the dipstick scale.

If the oil level is too low, add the recommended oil to the upper limit of the dipstick.



Install the dipstick and left maintenance panel in place again.

Please learn more about **oil filling** in the **maintenance section**.

Oil level: 0.78L

Recommended grade of engine oil: SAE10W-30

⚠ WARNING

Please use the 4-stroke engine oil recommended in the section "Maintenance" as oil is an important factor affecting the performance and service life of a generator.

⚠ WARNING

The engine is not filled with oil before delivery. Any attempt to rotate the crankshaft or start the engine before incorrectly adding the oil of recommended grade and capacity may cause permanent damage to the engine and void the product warranty.

⚠ CAUTION

Run the generator only on a flat surface.

The engine is equipped with an engine oil alarm, when the oil level is below the lower limit, the generator will automatically shut down.

To avoid inconvenience caused by unexpected shutdown, please add the oil to the upper limit position and check the oil level regularly.

4

Operation place

Inspect the fuel level before starting the generator. Please add fuel if necessary.

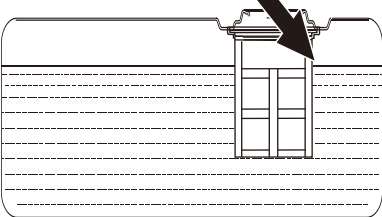
Use fresh and clean unleaded gasoline.

Do not mix oil and fuel.

Do not add oil or fuel above upper limit. In order to leave room for the gasoline to volatilize.

Fasten the fuel tank cap. If the fuel overflows, please wipe the fuel with a clean cloth.

Maximum fuel level



Fuel level: please refer to the specification sheet for details.

⚠ CAUTION

A certain amount of pressure will be formed in the fuel tank due to the volatilization of gasoline. Let the generator cool down for at least 2 minutes before removing the fuel tank cap. Slowly loosen the fuel cap to release the pressure in the fuel tank.

**⚠ DANGER****FIRE OR EXPLOSION**

Gasoline is a flammable and explosive substance.

Do not fill the fuel tank with fuel indoors or when the generator is running or at high temperature.

Filling the fuel tank with fuel should be done outdoors and in a well-ventilated environment with the generator shut down.

At the end of each refueling, the overflowing fuel should be wiped off.

Regularly inspect the fuel system for damage or leakage. Do not run the generator when there is a leak in the fuel system.

Use appropriate fuel storage units and storage measures. It is forbidden to store fuel or inflammable materials near it.

Please provide the fire extinguisher nearby for use in case of fire.

⚠ CAUTION

When filling the fuel tank with fuel, the filling amount should not exceed the upper limit. Overfilling may lead to unstable operation of the

engine, even flameout, damage to the canister (if equipped), and void warranty.

Do not use engine cleaners or carburetor cleaners in the fuel tank as they may cause permanent damage. Avoid deposition of colloids in fuel system components (e.g. carburetor, fuel filter, fuel pipe or fuel tank) during storage. Experience has shown that alcohol-blended fuels (so-called alcohol gasoline, including ethanol or methanol) absorb moisture during storage, which leads to decomposition and formation of acid liquor. Acidic fuel can damage the fuel system of the generating set while in storage. Be sure to review the instructions given in "Storage" section.

Gasoline-alcohol blended fuel: The fuel with volume ratio of 10% alcohol and 90% unleaded gasoline is usable. Gasoline and alcohol mixture of other mixing ratios shall not be used.

Engine damage caused by the use of spoiled, failed or contaminated fuel will not be covered by the warranty.

CAUTION

In order to minimize colloid deposits in the fuel system and ensure start-up, please add the appropriate fuel according to the usage. Please do not continue to use fuel left over from the last use.

CAUTION

The generator shall be cooled for at least 2 minutes before opening the fuel tank cap for refueling. Slowly loosen the fuel cap to relieve pressure in the fuel tank.

5 Operation place

Before starting the generator, disconnect the electrical device from the generator and turn off the circuit breaker.

It may be difficult to start the generator after the electrical device is connected.

The electrical device to be connected must not exceed the maximum power range of the generator. Refer to the specification sheet for details.

strongly advised to consult the dealer for further information.

The generator must be properly grounded.

Grounding inside the generator or the electrical device will help prevent electric shock, especially if the generator is wheeled.

Static electricity can easily accumulate in ungrounded devices, and proper grounding can also help eliminate static electricity.



⚠ DANGER

Electrical Shock



Ground

Consult with local electrician to determine grounding requirements before operation.

Failure to properly ground the generator can result in electric shock.

The ground terminal has been set up on the generator. For remote grounding, a large copper wire $\geq 6 \text{ mm}^2$ shall be used between the generator ground terminal and the good ground terminal.

Different regions may also have specific generator grounding requirements. Users are

2. Starting the generator

1

Before use, perform the “Inspection items before use” and remove all loads.

2

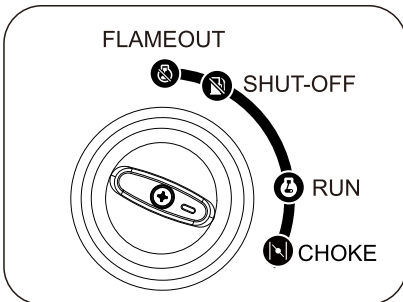
Electric start

Turn the combination switch to “RUN” position.

Manual start

Cold start: Turn the combination switch to “CHOKE” position.

Warm start: Turn the combination switch to “RUN” position.



3

Select according to the actual configuration of the user

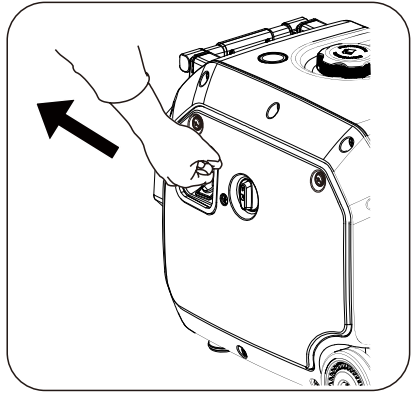
Recoil start:

1. To start the generator, hold the handle of the recoil starter and pull it slowly until there is

resistance and then quickly pull the handle to start the generator.

⚠ WARNING

Please check the condition of the starter rope before use. If the rope is seriously worn, please replace it at the authorized local dealer in time.



⚠ WARNING

RECOIL

When the recoil starter retracts quickly after start-up, the hand and arm will be pulled toward the engine faster.

Unpreparedness may result in accidental injury.

⚠ CAUTION

During start-up, the choke may be affected by temperature or other factors and may require different openings.

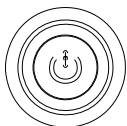
2. Turn the combination switch to “RUN” position.

⚠ CAUTION

This step is only applicable to cold-start generators.

Electric start: Switch button

Press the Switch button once to start the generator.



If it fails to start, release the switch. The unit will restart by itself. If it fails to start after repeated 6 times, please allow the generator to cool for 1 minute and start again.

⚠ CAUTION

After the generator is used for a period of time, if the push speed of the motor decreases, it means that the battery needs to be replaced. Before shutting down the generator, ensure that the combination switch in “Flameout” position, to prevent battery power loss, which may affect the next start.

If the generator still fails to be started or is shut down after three attempts, find the cause of the fault and eliminate it.

The engine oil alarm prevents the generator from being started when the oil level in the crankcase is below the lower limit.

Before the operation, please do a routine inspection of the oil. The recommended maintenance interval can be found in the maintenance section.

⚠ CAUTION

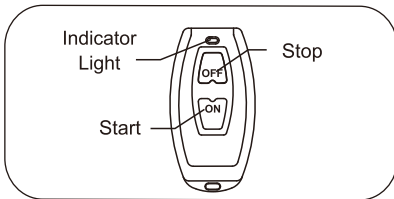
When electric start fails, please refer to the manual start procedure to start the generator.

Electric start: Wireless remote control (If applicable)

⚠ CAUTION

If the generator is not used for 24 hours, please press the engine switch to activate it before using the remote key.

press and hold the “ON” key for 1 second and release it to start the generator.



If it fails to start, the generator will restart by itself. If it fails to start after repeated 6 times, please allow the generator to cool for 1 minute and start again.

NOTE: Sometimes the generator can take a few attempts to start in cold weather.

If machine does not start in the first 10 seconds, wait for 30 seconds before attempting again.

If the motor turns a little then stops when you press the Start key, it may indicate a low battery. Charge the battery before operation or start by recoil start.

⚠ WARNING

Remote transmitter and generator learning

The generator and the remote controller have been successfully matched at the factory, and users do not need to perform matching when use.

If you need to re-match the wireless remote control, please choose the correct matching method according to the actual configuration.

Note: 1 device can learn 2 wireless remote control at most; if the wireless remote control has already been learned and you want to learn a second one, follow step abde and skip step c; however, if you want to cancel the pairing of the first wireless remote control and learn only the 2nd control, follow step abcde.

Mode 1: (with learning button)

- Rotate the combination switch to “RUN”.
- Press and hold the learning button for 3 seconds and release it when blue light staying on.
- Press “OFF” button of the wireless remote control with the blue light flashing once.

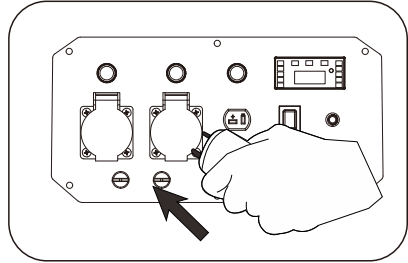
- d. Press the “ON” button of wireless remote control with the blue light flashing once.
- e. Press and hold the learning button for 3 seconds, release the button after the blue light goes out and then you can operate the remote control, if the start fails, please repeat the above steps.

Mode 2: (without learning button)

- a. Rotate the combination switch to “RUN”.
- b. Press and hold the switch button for 5 seconds, release the button when the green light is on.
- c. Press the “OFF” button of wireless remote control with the green light flashing once.
- d. Press the “ON” button of wireless remote control with green light flashing once.
- e. Press and hold the switch button for 5 seconds, release the button when the green light goes out and then you can operate the remote control, if the start fails, please repeat the above steps.

4

After completing the above operations, the generator can be connected to the electrical devices.



⚠ WARNING

When the generator output terminal is connected to the electrical device and the electrical device is on, it is prohibited to start or shut down the generator.

3. Connecting electrical device

- a. Inspect whether the power cord is damaged before use. If the cord is deformed, such as deformation and incisions, it will lead to the risk of electric shock.
- b. Confirm that the generator is grounded. If the electric device requires grounding, the generator must be grounded.
- c. Ensure that all electrical devices are turned off.
- d. After the generator is started, let it run for a few minutes to allow it to warm up to a steady state.
- e. Confirm the connection and then turn on the electric device you expected.
- f. Before stopping the generator, please turn off the electrical device or disconnect the output.
- g. If the generator provides power to more than one electrical devices, start each electrical device according to the size of the load, from small to large.

DANGER

If the connected device is overheated, please shut down the device immediately and disconnect it from the generator.



DANGER

ELECTRIC SHOCK

In order to reduce the danger of electric shock, do not use aging, worn or exposed wires with electric shock danger.

It is prohibited to touch exposed wires or plugs.

It is prohibited to operate the generator or electric wire in the water or with bare feet, or with wet hands or wet feet.

Load capacity

It must be ensured that the generator is capable of providing sufficient power to meet the required operating power and initial power of all electrical devices powered at the same time. Calculate the required operating power and initial power according to the following steps.

- a. Select the electrical devices to be supplied with power simultaneously.
- b. The operating power is equal to the sum of the power of all the electrical device that need to be supplied with power.
- c. Initial power refers to the short-term peak power required by the electrical device during starting. Because not all

electrical devices are started at the same time, the initial power can be evaluated by summing the power obtained in step 2 and the highest additional peak power of all electrical devices.

⚠ WARNING

Exceeding the load capacity of the generator will damage the generator and its connected electrical devices.

⚠ WARNING

It is necessary to equip with circuit protector or switch to isolate the generating set from the electric utility when the generating set is mainly used for backup. Failure to isolate the generating set from the power utility may result in injury or death to electric utility workers and damage to the generating set due to back feed of electrical energy.

Wattage Reference Chart

Electric equipment		Rate power(W)	Starting power(W)
Appliances	Tablet TV 27"	80	100
	Energy saving lamb	5-50	5-50
	Electric cooker	1000	1000
	Computer	250	250
	Electric fan	50	100
	Washing machine	250	500
	Refrigerator	50	300
	Air-conditioner	1600	3200
Electric tooling	Electric hammer	1000	1500
	Impact Hammer	3000	6000
	Water pump	2200	5000
	Electric welding machine	5000	7500
	Air compressor	5000	10000

4. Stopping the generating set

1

Turn off the electrical devices and then unplug all the electrical device plugs from the panel.

⚠ WARNING

Do not turn off the generator while the electrical device is connected and working.

2

Let the generator run without load for 3 min to stabilize the internal temperatures of the engine and the generator.

3

Select according to the actual configuration of the user

Method 1:

Turn the combination switch to “SHUT-OFF” position. Let the generator burn off the excess fuel in the fuel circuit, and the generator will be automatically shut down.

Method 2:

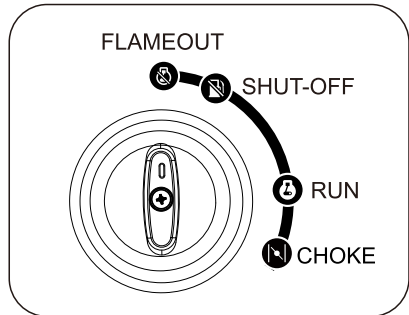
Press the Switch button to turn off the generator.

Method 3:

Press and hold the “OFF” button for at least 0.3 seconds to stop the generator.

4

Turn the combination switch to “FLAMEOUT” position.



⚠ WARNING

The generator is idle for a long time:

If the generator needs to be idle for a long time, please turn the fuel cock to “Shut-off” position. Turn the combination switch to “Flameout” position until the fuel in the carburetor oil cup burns out and the generator has an automatic flameout.

If the combination switch is not turned to “Flameout” position and the battery is not in use for a long time, it will lose power, resulting in failure to start the generator normally.

IV. Maintenance

It is the operator's responsibility to complete all scheduled maintenance in a timely manner. Correct any issue before operating the generating set. Always follow the inspection and maintenance recommendations and schedules in this manual.



⚠ DANGER

Accidental starts can cause Severe injury or death. Remove the spark plug cap and ground generating set before performing any service.

⚠ WARNING

Improper maintenance or failure to correct a problem before operation can cause a malfunction and result in property damage, serious injury or DEATH.

Improper maintenance will void your warranty.

⚠ CAUTION

The filter element may contains PAHs, PAHs are harmful for your health. Please wear gloves for protection during air filter maintenance.

1. Maintenance schedule

Stop the generating set before servicing, disconnect all electric devices and battery (If equipped), and cool down the generating set completely.

Serve the generating set in a clean, dry and flat area, so that no accident would happen during the servicing. Please make the wheel in brake state to stop accidental movement of generating set.

Follow the service intervals indicated in the chart below. Service your generating set more frequently when operating in adverse conditions.

Contact your local authorized service dealer for your generating set or engine maintenance needs.

Maintenance schedule for ≥ 80 cc - < 225 cc engine

Follow the service intervals indicated in the chart below.

Service your engine/equipment more frequently when operating in adverse conditions.

Contact your local service dealer for your engine/equipment maintenance needs.

	Each time before use	After 20 hours of first use	Every 50 hours or annually	Every 100 hours or annually	125 hours after use or annually	250 hours after use or annually	375 hours after use or annually	500 hours after use or annually	Long storage or necessary
Oil	Check	X (Note 1)							
	Replace	X (Note 2)			X	X	X	X	
	Inspect		X (Note 3)						
Air Filter	Replace				X	X	X	X	
	Inspect				X (Note 4)		X (Note 4)		
Spark Plug	Replace					X		X	
Spark arrestor (if equipped)	Clean/ Replace			X (Note 5)					
Combustion chamber	Clean					X (Note 6)		X (Note 6)	
Fuel	Drain								X

Note 1: Check engine oil level at every time before use and add oil to the specified range as needed, otherwise the engine may be damaged.

Note 2: Break-in period is needed when engine first put into use, it will accelerate oil consumption and deterioration during this period, so it is necessary to change the oil after 20 hours of first engine use, otherwise the engine may be damaged.

Note 3: Engine may be used under heavy duty and dirty conditions. inspect and clean the air filter is necessary when it is dirty.

Note 4: Engine may be used under heavy duty and dirty conditions. inspect and clean/adjust/ replace the spark plug is necessary when it is dirty or defective.

Note 5: Dirty spark arrestor will increase exhaust back-pressure and affect engine performance, clean/replace spark arrestor when it is dirty/damaged.

Note 6: Clean combustion chamber to be performed by knowledgeable, experienced owners or by the certified service centers. Clean combustion chamber is not necessary for emission and performance throughout engine entire service life unless the engine long-term working in heavy duty and dirty conditions.

2. Generating set maintenance

Use a damp cloth to clean exterior surfaces of the generating set. Use a soft brush to clean the dirt and oil.

Use compressed air (25 PSI) to clear dirt and debris from the generating set.

Inspect all air vents and cooling slots to ensure that they are clean and unobstructed.

⚠ WARNING

It is forbidden to tamper with the generator in any of the above ways.

It is forbidden to tamper with the inverter speed. The generator has been set to the correct rated frequency and voltage before delivery.

Unauthorized tampering with the factory settings of the inverter will void your warranty.

⚠ WARNING

DO NOT use water to clean the generating set. Water can enter the generating set through the cooling slots and damage the generating set windings.

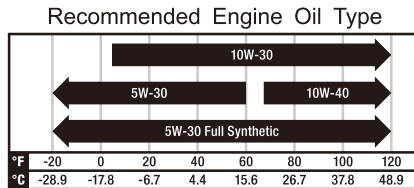
3. Engine maintenance

Engine oil

Only use four-stroke engine oil of SJ, SL or equivalent level which are in accordance with or higher than API standard.

Check the API label on oil bottle or other container, and make sure the “SJ, SL” or equivalent level letter is in the label.

SAE 10W-30 is recommended for general, all-temperature use. Other viscosities shown in the chart may be used when the average temperature in your area is within the indicated range.



Ambient temperature

Oil capacity (rated):

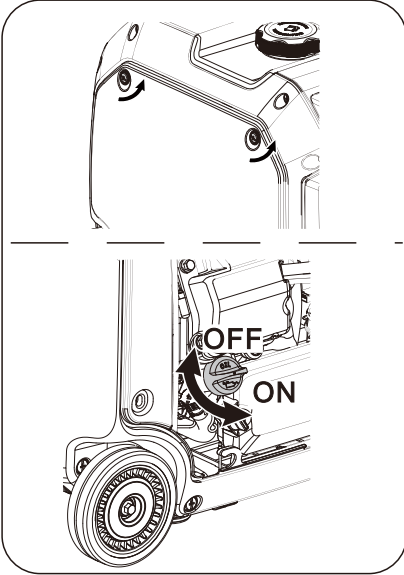
See parameters

Adding oil

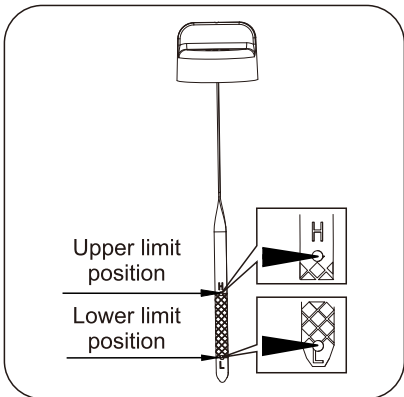
⚠ WARNING

The engine is not filled with oil before delivery. Any operation of the engine before the recommended type and volume of oil is not properly added will cause damage to the engine and void the warranty.

- a. Place the generator on a flat surface.
- b. Remove the left maintenance panel after unscrewing the fixing bolts.
- c. Remove the dipstick.



- d. Fill the recommended oil to the upper limit.



⚠ CAUTION

Inspection of the filling scale mark

Insert the dipstick into the oil filler and hold it in the filler neck position. Do not insert the dipstick into the filler. Then take out the dipstick and check the dipstick oil level.

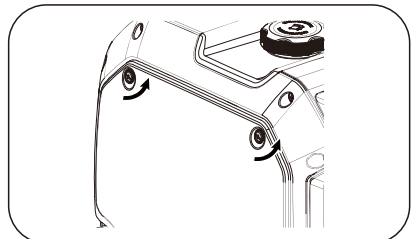
- e. Install the dipstick back to its original position and fix the left maintenance panel with fixing bolts.

Change the oil

⚠ WARNING

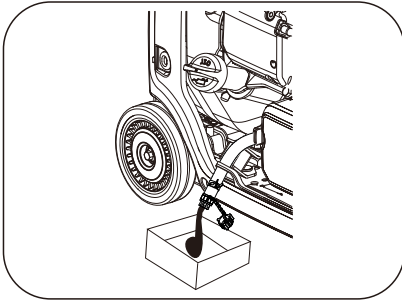
When the generator is hot and the oil temperature is likely to exceed 100 °C, change the oil carefully to avoid scalding.

- a. Place the generator on a flat surface.
- b. Remove the left maintenance panel after unscrewing the fixing bolts.



c. Place the waste oil box under the generator drain pipe outlet, release the drain pipe and unscrew the pipe plug so that the generator completely drains the oil to be changed.

After draining the oil, refit the plug and drain pipe to their original positions.



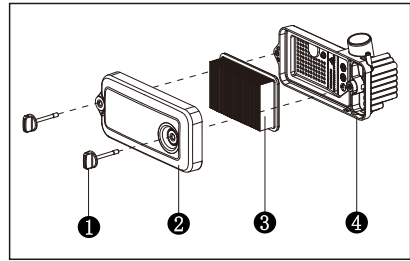
d. Remove the dipstick and wipe it clean.

e. Add the recommended oil to the upper limit of the dipstick.

f. Install the dipstick back to its original position and fix the left maintenance panel with fixing bolts.

g. Please use approved waste management facilities/ equipment to dispose of used oil.

Air filter



- ❶ Air filter fixing bolt
- ❷ Air filter cover
- ❸ Paper air filter element
- ❹ Air filter base

a. Unscrew the fixing bolt and remove the air filter cover.

b. Take out the paper air filter element.

c. Inspect whether the whole paper filter element is damaged, and if damaged, please replace it in time.

d. Tap the filter element gently to let the dust or debris attached to the filter element fall off.

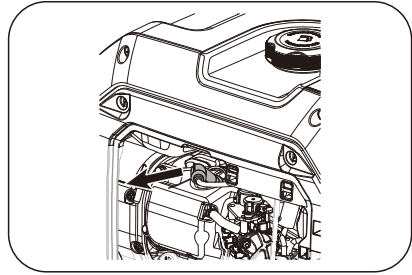
e. Install the filter element and air filter cover back into the base and fix them with fixing bolts.

WARNING

The air filter is a key part that affects the emission performance, and any form of modification is strictly prohibited.

It is prohibited to use the engine without installing or correctly installing the air filter, otherwise the engine will be seriously worn or damaged, and the product warranty will be void.

It is strictly forbidden to use organic solvent to clean the paper filter element, and to use compressed air to blow and clean it.



d. Observe the spark plug and spark plug washer for damage. If there is no damage, please clean it with a wire brush. If there is any damage, please replace it in time.

e. Inspect the spark plug clearance. If necessary, carefully bend one end of the electrode to adjust its clearance.

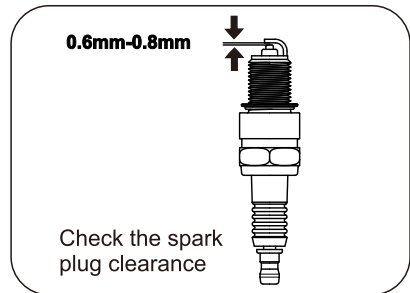
Spark plug clearance: 0.6 mm-0.8 mm

Spark plug

WARNING

Before repairing the spark killer, make sure that the engine has cooled down completely.

- Remove the left maintenance panel after unscrewing the fixing bolt.
- Clean the dirt around the spark plug cap and spark plug.
- Remove the spark plug cap and unscrew the spark plug with a special socket.



f. Carefully screw the spark plug thread into the engine by hand.

g. When the spark plug is fixed, tighten it firmly with a special socket for the spark plug.

Requirements for tightening torque of spark plug: 15-20 Nm

h. Attach the spark plug cap to the spark plug and connect the

spark plug wire to the spark plug.

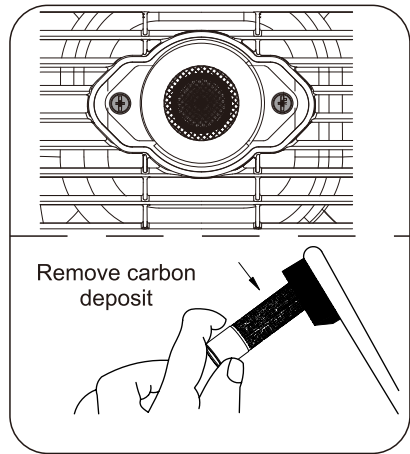
⚠ WARNING

Use spark plugs of the recommended type or equivalent. It is forbidden to use spark plugs with improper calorific value range.

i. Install the left maintenance panel and fix it with fixing bolts.

Spark killer (If equipped)

- a. Before repairing the spark killer, please allow the engine to cool down completely.
- b. Use a magnetic tool to remove the set screws and attach the cover plate to the end of the spark killer and leave it in the silencer.
- c. Remove the spark killer screen.
- d. Carefully remove the carbon scale from the spark killer screen with a wire brush.
- e. If the spark killer is damaged, please replace it in time.
- f. Install the spark killer to the silencer and fix it with the two screws.



Speed

The speed has been pre-set at the factory and should rarely require readjustment. Consult your local authorized dealer for such needs.

⚠ WARNING

Unapproved adjustment will damage your engine and/or your electrical devices and void your warranty.

Adjustment

There has no other service and/or adjustment need for your generator.

Unapproved adjustments or tampering can damage your generator and your electrical devices and will void your warranty. Contact your local dealer for such needs.

WARNING

Tampering with the factory set governor will damage your generator and void your warranty.

V. Troubleshooting

Failure	Trouble	Solution
Generating set fails to start	Turn the combination switch to “FLAMEOUT” or “OFF” position.	Turn the combination switch to “RUN” position, and then start the generator according to start steps.
	Lack of fuel.	Fill the fuel tank with fuel in accordance with the instructions in this manual.
	Lack of engine oil.	Check oil level. This engine is equipped with a low oil sensor. The engine cannot be started unless the oil level is above the prescribed lower limit.
	No ignition.	Remove the spark plug cap. Clean the dirt around the spark plug base, and then remove the spark plug. Insert the spark plug into the spark plug cap. Turn the combination switch to “RUN” position. Pull the recoil starter and observe whether there is any electric spark between the spark plug clearance. Replace the spark plug if there is no spark. Follow the instructions in this manual to reinstall the spark plug and start the engine. If necessary, please consult your local dealer.
	Spark plug is splashed by fuel	Remove the spark plug and wipe the fuel.
	Low battery power (electric start)	Manually start the generator to charge the battery (time≥30 min).
Generating set has no output	Overload protection	Reconnect the circuit, breaker or overcurrent protector.
	Mismatched cable installation or extension cable	Inspect the load-carrying capacity of the end face of the cable installation or extension cable. If necessary, please consult your local dealer.

VI. Storage and transportation

Storage

The generating set should be started at least once every 2 weeks and allowed to run for at least 20 minutes. Follow the instructions below for longer term storage if the generating set will be out of service for 2 months or more.



FIRE OR EXPLOSION

Gasoline is a flammable and explosive substance. Before storing or transporting engine, empty the fuel tank and close the fuel cock.

- a. Allow the generator to cool completely before storage.
- b. Clean the generator according to the instructions in the maintenance section.
- c. Drain all fuel in the fuel tank, pipe and carburetor to prevent the formation of colloids.
- d. Turn the combination switch to "Flameout" position and disconnect the fuel supply.
- e. Drain the oil.
- f. Remove the spark plug and pour 15 ml of fresh oil into the cylinder. Rotate the crankshaft slowly so that the oil is well distributed in the cylinder, thus lubricating the cylinder. Install the spark plug again.

- g. Disconnect the battery.
- h. Please store it in a clean and dry area away from direct sunlight.

Transportation

In order to prevent fuel leakage during transportation or storage of the generator for a short time, the generator should be in the normal operating position and fixed vertically, with the generator combination switch in "FLAMEOUT" position and the fuel cock in "OFF" position.

WARNING

When transporting:

Do not overfill the tank. Do not operate the generating set while it is on vehicle. Take the generating set off the vehicle and use it in a well-ventilated place. Avoid a place exposed to direct sunlight when putting the generating set on a vehicle. If the generating set is left in an enclosed vehicle for many hours, high temperature inside the vehicle could cause fuel to vaporize resulting in a possible explosion. Do not drive on a rough road for an extended period with the generating set on board. If you must transport the generating set on a rough road, drain the fuel from the generating set beforehand.

VII. Specification

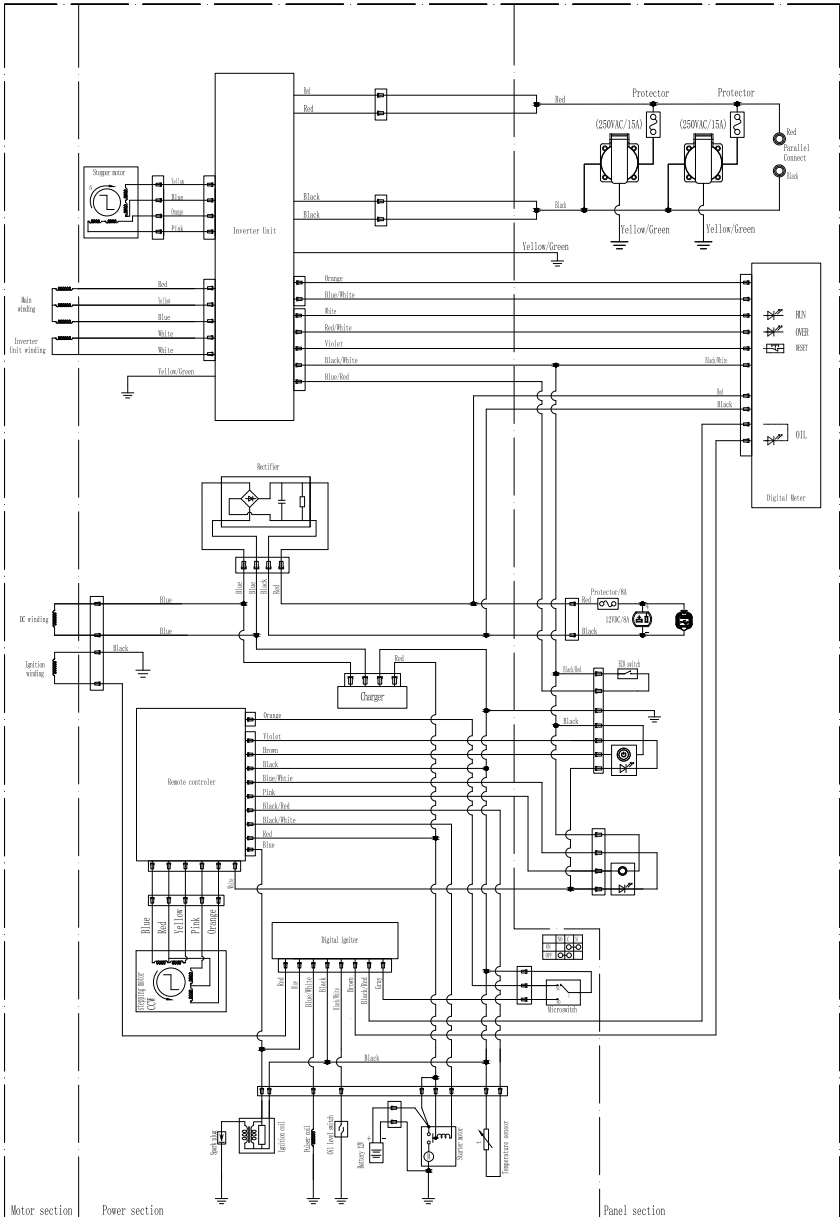
1. Specification parameter table

Feature		Model	ATX5600i
Engine parameter	Engine model		GB225CVE-2
	Style		OHV, forced cooling, four stroke, single cylinder
	Displacement (cm ³)		224
	Ignition system		TCI
	Start style		Recoil or Electric starting
	Oil capacity(L)		0.78
Generating set parameter	Frequency(Hz)		50
	Voltage(V)		230
	Rated power(kW)		4.5
	Maximum power(kW)		4.8
	Power factor		1.0
	Insulation grade		F
	Fuel capacity(L)		12
	Operating temperature(°C)		-10~40
	Max. site altitude of installation(m)		1500
	Measured sound pressure level(dB(A))		≤ 74
	Measurement uncertainty(dB(A))		≤ 1.5
	Guaranteed sound power level(dB(A))		≤ 97
Net weight(kg)		42.5	

Note: The generating set with different specification and configurations may have different parameters and may change at any time without notice.

2. Wiring diagram

ATX5600i



Note: This circuit diagram is for reference only due to the generator set condition difference.

